

NOR-LAKE SCIENTIFIC

PREMIER GLASS DOOR REFRIGERATORS

Designed to meet the demanding requirements of scientific and laboratory applications. Special cabinet incorporates industrial quality with a heavy duty refrigeration system to maintain your valuable products.

Standard Product Features:

- Digital LED microprocessor control with audible and visual Hi/Lo alarm and remote alarm contacts
- Adjustable control range from 2°C to 10°C factory preset at 4°C
- Exterior front, sides and back are painted white
- Exterior top and bottom are galvanized steel
- Interior is painted white
- Complete cabinet is foamed-in-place with high density polyurethane foam insulation
- Heavy duty glass door(s) with pivot hinges and pull handles
- Magnetic door gaskets
- Four casters on one and two door models (2 locking) and six casters (3 locking) on three door model
- 3 epoxy coated wire shelves per door section
- Full size, double pane glass doors with anti-condensate heater wires
- Interior light, switch activated
- Complete top mounted refrigeration system maximizing storage area
- Forced air flow refrigeration optimizes air flow and temperature uniformity
- Key door lock(s)
- Automatic condensate evaporation
- Automatic defrost
- Warranties: (US and Canada) 18 months parts and labor. 5 year compressor. 18 months parts (international)
- UL, C-UL and CE Mark, CEC California Energy Commission

Optional Features:

- 4-20ma output
- Extra shelves
- Reverse door hinge(s)
- Legs in lieu of casters
- Electrical outlet
- Access port 2" sleeve with cover
- Stainless steel drawers up to 8 per door section
- Internal electrical outlet
- Stainless steel exterior
- Stainless steel interior
- Temperature chart recorder
- Chart paper



NSPR331WWG/



NSPR241WWG/ NSPR331WWG/ NSPR522WWG/ NSPR803WWG/

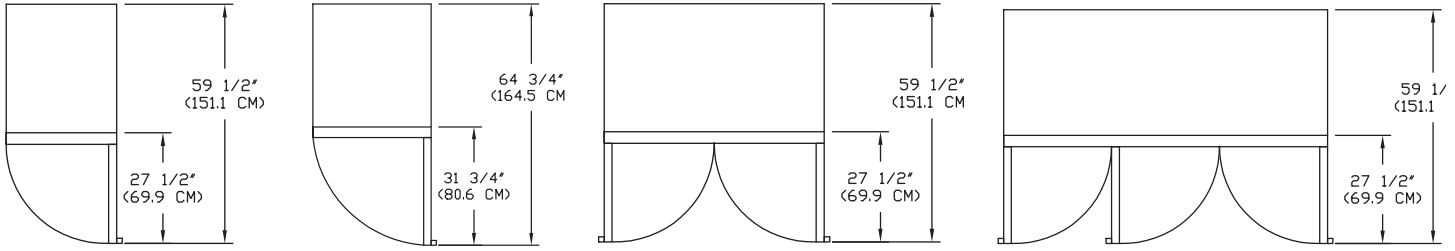


CHANGE FOR THE
BETTER WITH
ENERGY STAR



Nor-Lake, Inc.
Registered to ISO 9001:2000
File No. A3204

NOR-LAKE SCIENTIFIC
A Division of
NOR-LAKE, INCORPORATED
727 Second Street
P.O. Box 248
Hudson, Wisconsin 54016
800-477-5253
715-386-2323
800-388-5253 PARTS
715-386-4290 FAX
www.norlake.com

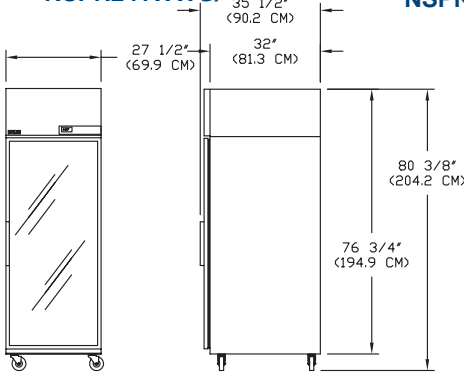


NSPR241WWG/

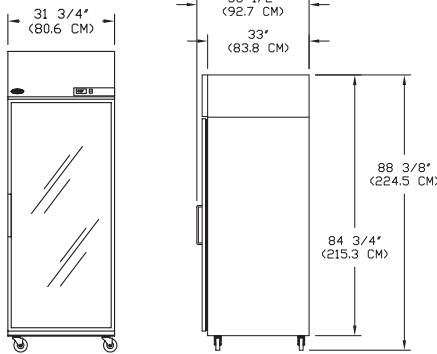
NSPR331WWG/

NSPR522WWG/

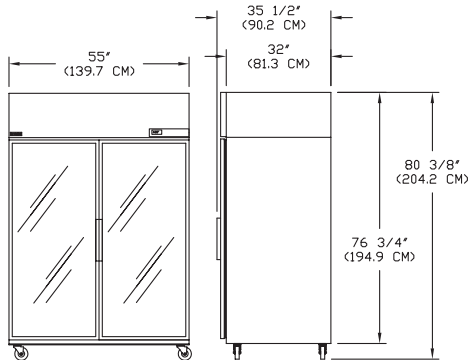
NSPR803WWG/



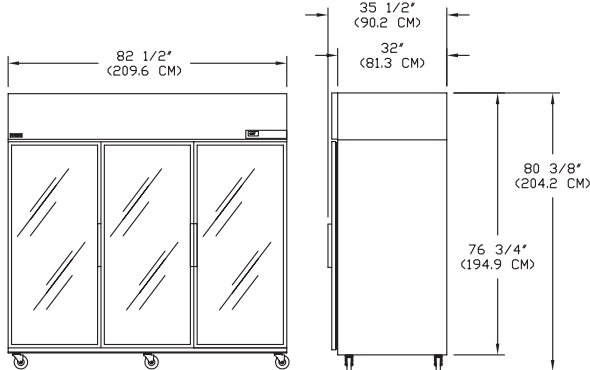
NSPR241WWG/



NSPR331WWG/



NSPR522WWG/



NSPR803WWG/

FRONT

SIDE

SPECIFICATIONS

Models	NSPR241WWG/0	NSPR331WWG/0	NSPR522WWG/0	NSPR803WWG/8
Models	NSPR241WWG/5	NSPR331WWG/5	NSPR522WWG/5	NSPR803WWG/5
Crated Height	83-3/4" (212.7 cm)	91-3/4" (233.0 cm)	83-3/4" (212.7 cm)	83-3/4" (212.7 cm)
Crated Width	31" (78.7 cm)	35-1/4" (89.5 cm)	59" (149.9 cm)	86" (218.4 cm)
Crated Depth	38" (96.5 cm)	39" (99.1 cm)	38" (96.5 cm)	38" (96.5 cm)
Crated Weight (lbs) (kg)	365 (165.9 kg)	439 (199.5 kg)	590 (268.2 kg)	750 (340.9 kg)
Interior Height	59" (149.9 cm)	67" (170.2 cm)	59" (149.9 cm)	59" (149.9 cm)
Interior Width	23-1/2" (59.7 cm)	27-3/4" (70.5 cm)	51" (129.5 cm)	78-1/2" (199.4 cm)
Interior Depth	30" (76.2 cm)	31" (78.7 cm)	30" (76.2 cm)	30" (76.2 cm)
Overall Height	80-3/8" (204.2 cm)	88-3/8" (224.5 cm)	80-3/8" (204.2 cm)	80-3/4" (204.2 cm)
Overall Width	27-1/2" (69.9 cm)	31-3/4" (80.6 cm)	55" (139.7 cm)	82-1/2" (209.6 cm)
Overall Depth	35-1/2" (90.2 cm)	36-1/2" (92.7 cm)	35-1/2" (90.2 cm)	35-1/2" (90.2 cm)
Gross Cubage (ft.3) (m3)	24.0 (0.68)	33.1 (0.94)	52.0 (1.47)	80.0 (2.26)
Shelf Area (sq. ft.) (m ²)	12.83 (1.19)	15.85 (1.47)	28.6 (2.66)	42.84 (3.98)
Number of Shelves	3	3	6	9
Number of Casters	4	4	4	6
Number of Legs	4 (optional)	4 (optional)	4 (optional)	6 (optional)
Condensing Unit Size	1/3	1/3	1/2	3/4
Refrigerant	R134a	R134a	R134a	R134a
Maximum Fuse Size	15	15	15	15
Total Amp Draw /0	8.6	8.6	10.7	8.3
Total Amp Draw /5	3.2	3.2	4.2	8.1

Specifications subject to change without notice.

Voltage Model Suffix Code	Voltage Description	NEMA Plug	NEMA Receptacle
/0	115V, 1PH, 60HZ	5-15P	5-15R
/5	230V, 1PH, 50HZ	Power Inlet (IEC 60320) Module	Cord Supplied Locally
/8	115/208-230V/1PH60HZ	L14-20P	L-14-20R

NORLAKE SCIENTIFIC

Revision Date: 7/08
 ©2008 NOR-LAKE, INC.
 Printed in the U.S.A.
 Part Number: 073285

